

10

2
E

THE OPEN UNIVERSITY OF SRI LANKA
FACULTY OF HEALTH SCIENCES
DEPARTMENT OF BASIC SCIENCES
ACADEMIC YEAR 2019/2020 – SEMESTER I



BACHELOR OF PHARMACY HONOURS
BACHELOR OF MEDICAL LABORATORY SCIENCES HONOURS
BSU3230 - HUMAN ANATOMY – LEVEL 3
CONTINUOUS ASSESSMENT II (NBT II)

DURATION: 1 HOUR

DATE: 12th MARCH 2020

TIME: 1.00 PM – 2.00 PM

REGISTRATION NO:

IMPORTANT INSTRUCTIONS/ INFORMATIONS TO CANDIDATES

- This question paper consists of 11 pages with 20 Multiple Choice Questions (Part A) and 02 Structured Essay Questions (Part B).
- Write your Registration Number in the space provided.
- Answer ALL questions.
- **Multiple Choice Questions (Part A):** Indicate answers in the answer sheet provided by placing a cross (X) in **INK** in the relevant cage. (Answers in pencil will **NOT** be marked)
- **Structured Essay Questions (Part B):** Write answers within the space provided.
- Do not remove any page/part of this question paper from the examination hall.
- Mobile phones and any other electronic equipment are **NOT** allowed. Leave them outside.
- Please fill the address sheet (See last page).

BACHELOR OF PHARMACY HONOURS
BACHELOR OF MEDICAL LABORATORY SCIENCES HONOURS
BSU3230 - HUMAN ANATOMY – LEVEL 3
CONTINUOUS ASSESSMENT II (NBT II)

REGISTRATION NO:.....

ANSWER SHEET FOR PART A

Q. No.	(a)	(b)	(c)	(d)
1				
2				
3				
4				
5				
6				
7				
8				
9				
10				
11				
12				
13				
14				
15				
16				
17				
18				
19				
20				

REGISTRATION NO:

Part A – Multiple Choice Questions

(20 marks)

Choose the most suitable/ best answer and indicate with a 'X' in the answer sheet provided.

1. The functional unit of the kidney is
 - a) cortex
 - b) nephron
 - c) pelvis
 - d) glomerulus

2. Which one of the following is **correct** regarding the human kidney?
 - a) It is covered by a capsule
 - b) It is located in the pelvic cavity
 - c) It is supplied by the portal vein
 - d) It is a muscular organ

3. Endocrine gland includes
 - a) parotid
 - b) adrenal
 - c) prostate
 - d) submandibular

4. The thyroid gland
 - a) consists of three lobes
 - b) locates in the thoracic region
 - c) secretes parathyroid hormone
 - d) produces thyroxin

5. In female reproductive system, normal fertilization occurs in the
 - a) endometrium
 - b) cervix
 - c) fallopian tube
 - d) ovary

6. In the male reproductive system, spermatogenesis is occurred in the
- epididymis
 - seminal vesicles
 - vas deferens
 - seminiferous tubules
7. A muscle in the abdominal wall is known as
- internal intercostal
 - pectoralis major
 - rectus abdominis
 - deltoid
8. Skeletal muscles are found in the
- ureters
 - diaphragm
 - heart
 - bladder
9. Which one of the following is correct regarding the adult long bone?
- Epiphysis is wider than the shaft
 - Yellow bone marrow produces erythrocytes
 - Periosteum covers the inner surface of the bone
 - Diaphysis is seen at the ends of a bone
10. Upper limb bone includes
- patella
 - tibia
 - sternum
 - humerus
11. A bone of the cranium includes
- maxilla
 - occipital
 - lacrima
 - mandible

12. Irregular bones are typically found in the
- a) rib cage
 - b) upper limb
 - c) vertebral column
 - d) lower limb
13. Bones of the shoulder joint are
- a) clavicle, scapula and humerus
 - b) humerus, scapula and ulnar
 - c) radius, ulnar and clavicle
 - d) radius, humerus and ulnar
14. The basic building block of the nervous system is
- a) dura mater
 - b) astrocyte
 - c) neuron
 - d) neuroglia
15. A disease associated with the nervous system is
- a) anaemia
 - b) pneumonia
 - c) myocardial infarction
 - d) parkinsonism
16. An effect of parasympathetic nervous system is
- a) constriction of pupil
 - b) increase of heart rate
 - c) reduction of blood flow to intestines
 - d) increase of air supply to lungs
17. Cerebrospinal fluid (CSF) is produced in the
- a) spinal cord
 - b) ventricles of brain
 - c) pituitary gland
 - d) cerebellum

18. A structure/area involved with sensation of smell includes

- a) nostrils
- b) nasopharynx
- c) olfactory region
- d) sphenoid sinus

19. Structure in the ear involved in equilibrium is called as

- a) cochlea
- b) tympanic membrane
- c) auricle
- d) vestibular apparatus

20. Somatic senses include

- a) taste
- b) equilibrium
- c) pain
- d) vision

REGISTRATION NO:

Part B – Structured Essay Questions

(80 marks)

Write answers in the space provided.

1. a) Name the gland/ organ which secretes the following hormone. (10 marks)

i. Insulin -

ii. Growth hormone -

iii. Cortisol -

iv. Calcitonin -

v. Testosterone -

b) Draw a clearly labelled diagram to show the regions of a nephron. (10 marks)

c) List two (02) hormones produced by female reproductive system. (4 marks)

i.

ii.

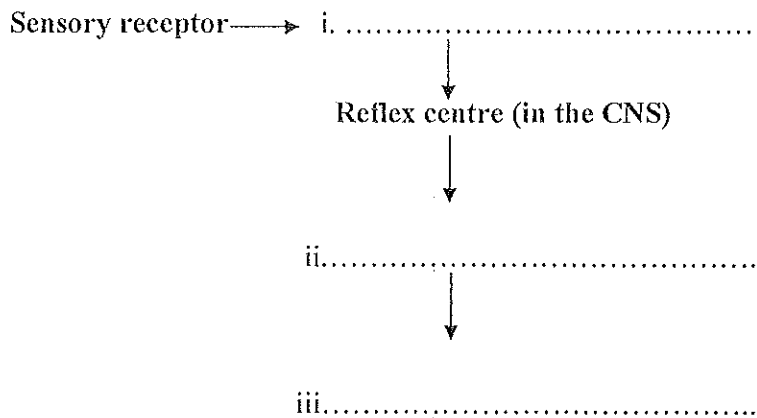
d) List three (03) types of cartilage found in the human body. Give one example for each type you mentioned. (6 marks)

Type	Example
i.	
ii.	
iii.	

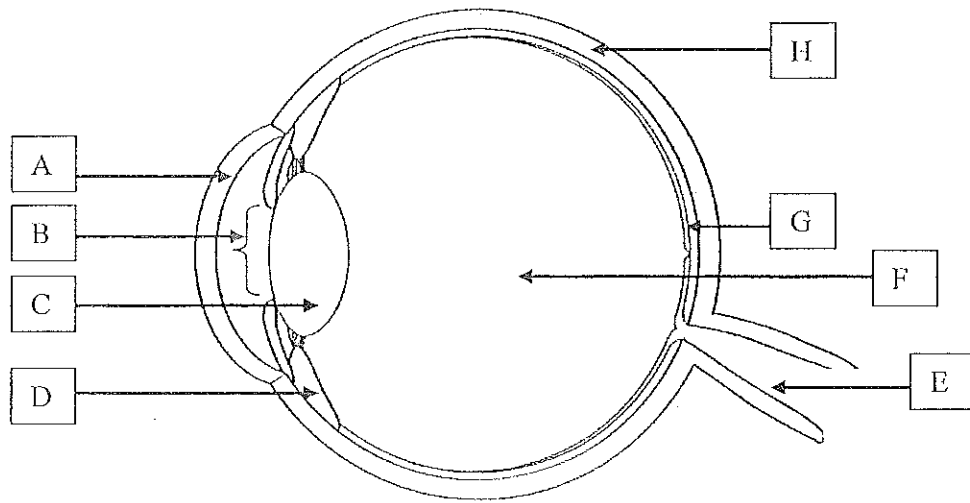
e) Identify the type of synovial joint found in the following regions of the body. (10 marks)

Region	Type of joint
i. Shoulder joint	
ii. Elbow joint	
iii. Wrist joint	
iv. Knee joint	
v. Hip joint	

2. a) Name the missing components of the reflex arc. (6 marks)



d) The structure of the eye is given below. Identify the regions in A to H. (16 marks)



A -

E -

B -

F -

C -

G -

D -

H -

Reg. No:.....

Name:.....

Address:.....

.....

.....

.....

.....