

The Open University of Sri Lanka

Faculty of Engineering Technology

021



Study Programme : Bachelor of Science (Honours) in Engineering
Name of the Examination : Final Examination
Course Code and Title : **DMX4201 – Advanced Engineering Design Graphics**
Academic Year : 2022/23
Date : February 08, 2024
Time : 13.30 – 16.30
Duration : 3 hours

General Instructions

1. Read all instructions carefully before answering the questions.
2. Draw the standard cage and fill the title cage clearly for answers.
3. Save drawings periodically to prevent data loss.
4. Do not write your name.
5. **Write down your index number in the title cage.**
6. Save the answers as Question number followed by the registration number in the pen drive provided by the supervisor / invigilator **[EX: Q2_219233455]**.
7. Drawings saved in the pen drive are considered as the final answer.
8. Assume any missing dimensions.

Figure-1 shows pictorial views of the following components of the *Plummer Block*.

Item No.	Part	Quantity
1	Base	01
2	Bush	01
3	Cap	01
4	M12-Bolt	02

1. Construct the 3D models of the components in the above list. **[50 marks]**
2. Assemble the components placing them correctly. **[20 marks]**
3. Generate the following views from the assembly to the scale of full-size in first angle projection. **[30 marks]**
 - a) Sectional Front Elevation on A-A
 - b) End Elevation projected to the right of view (a)
 - c) Plan
 - d) Isometric view

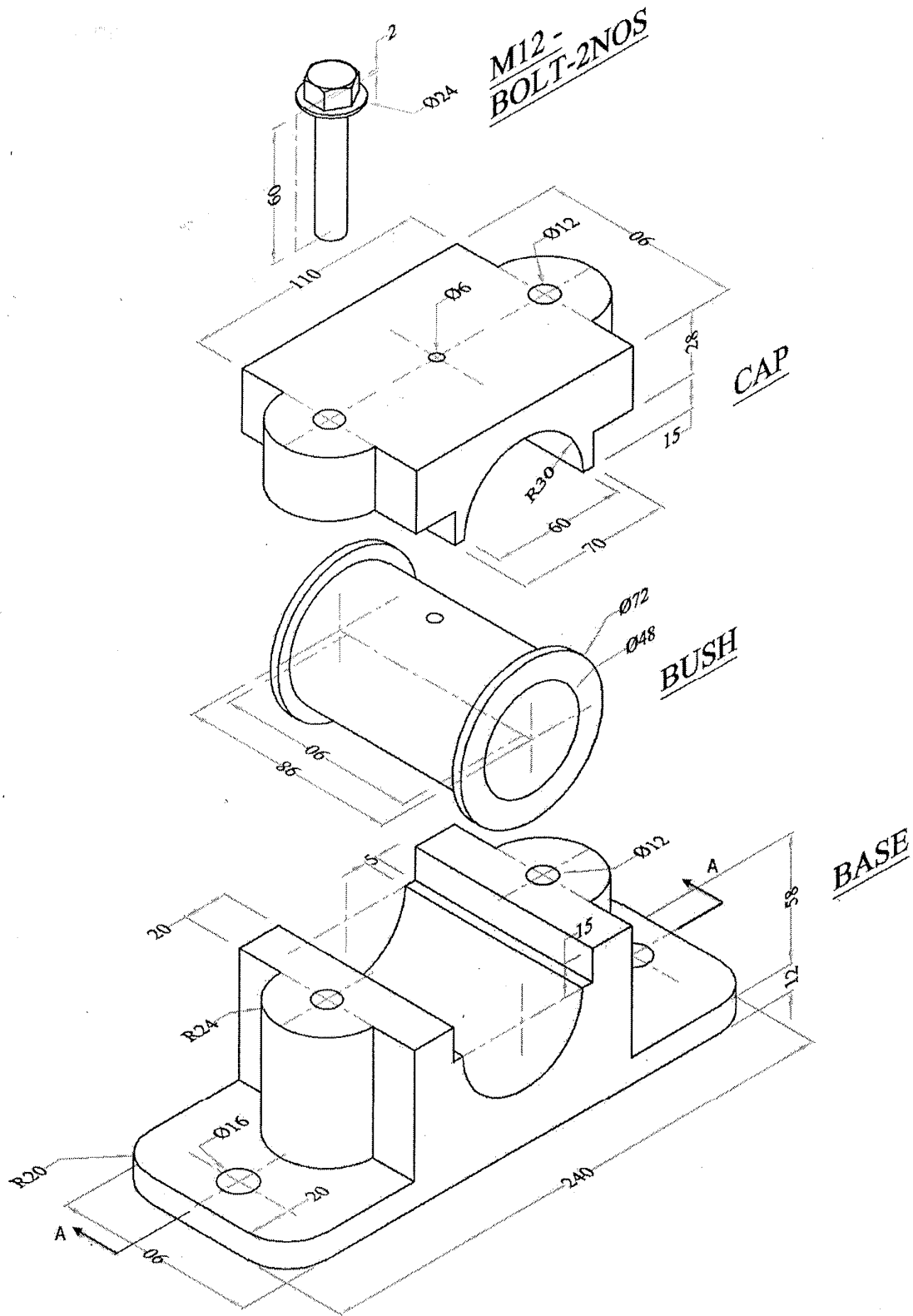


Figure - 01