

00007

THE OPEN UNIVERSITY OF SRI LANKA  
FACULTY OF HEALTH SCIENCES  
DEPARTMENT OF BASIC SCIENCES  
ACADEMIC YEAR 2018/2019 – SEMESTER I



BACHELOR OF PHARMACY HONOURS  
BACHELOR OF MEDICAL LABORATORY SCIENCES HONOURS  
BSU3230 - HUMAN ANATOMY – LEVEL 3  
FINAL EXAMINATION

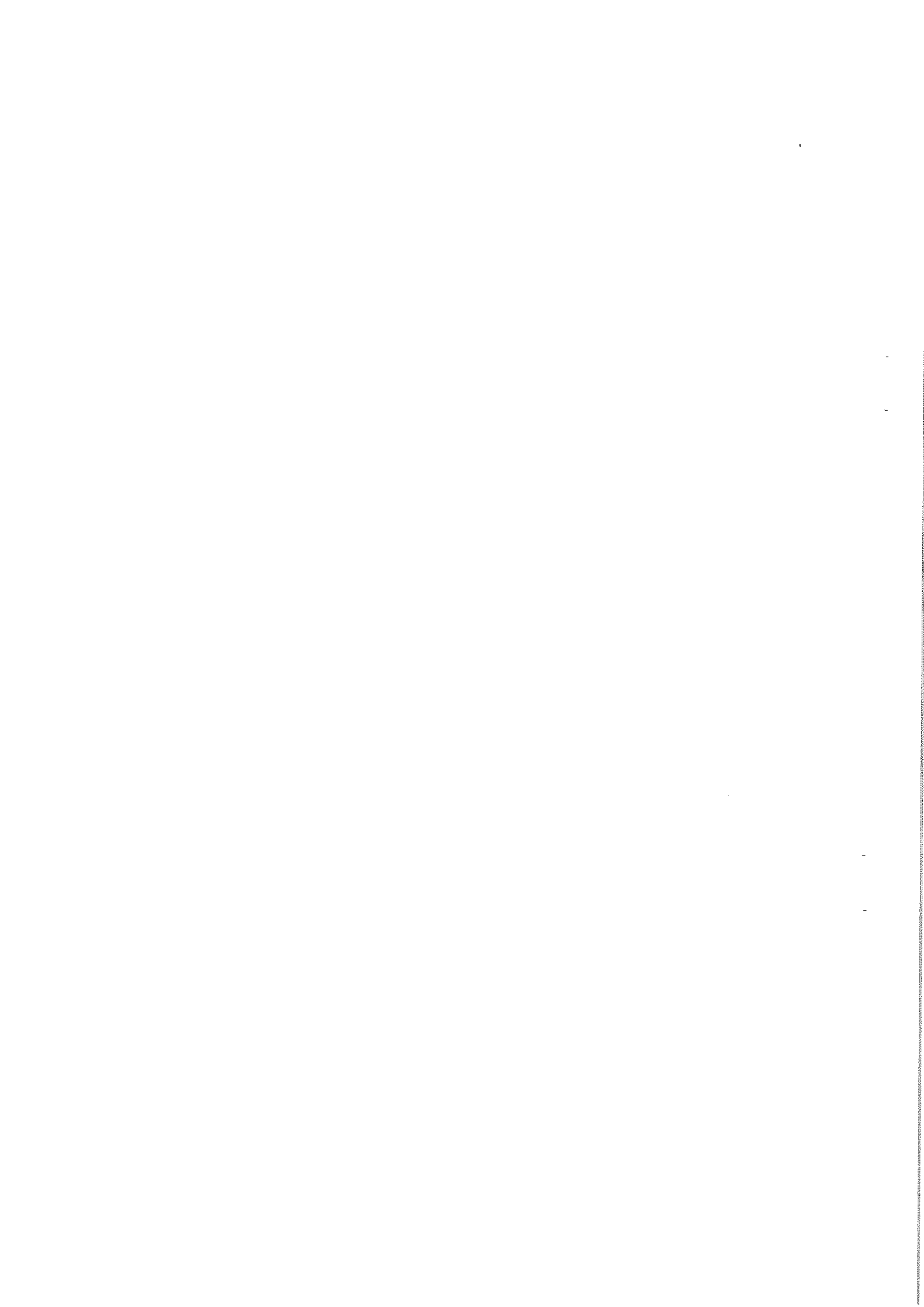
DURATION: TWO HOURS

---

DATE: 05<sup>th</sup> MARCH 2019

TIME: 09.30 AM – 11.30 AM

---



INDEX NO: .....

---

**Part B – Structured Essay Questions**


---

*(40 marks)*

Write answers in the space provided.

1. a) List **three (03)** types of cartilage found in the human body. (3 marks)

I. ....

II. ....

III. ....

b) Name the cranial bones of the skull. (6 marks)

I. ....

II. ....

III. ....

IV. ....

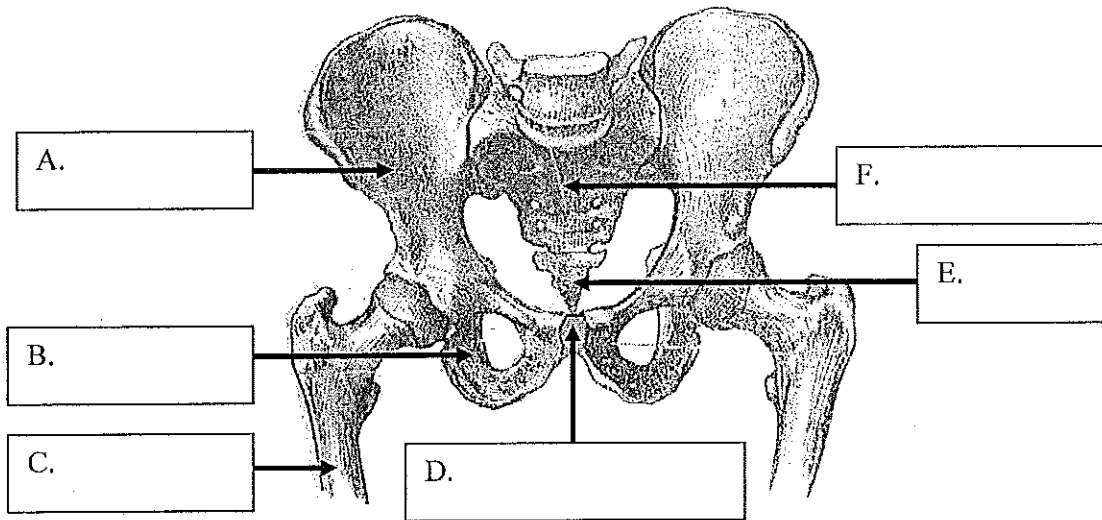
V. ....

VI. ....

c) Identify the type of synovial joint found in the following regions of the body. (5 marks)

Region	Type of joint
I. Shoulder joint	
II. Elbow joint	
III. Wrist joint	
IV. Knee joint	
V. Hip joint	

d) Following diagram shows the bones of the pelvic region. Identify the bones/ area of the bone in A to F. (6 marks)



2. a) Identify the type of epithelium found in the following regions of the body. (4 marks)

Region	Epithelium
I. Epidermis of the skin	
II. Respiratory tract	
III. Blood capillaries	
IV. Small intestine	

b) Name **three (03)** organs found in the human body that contains lymphatic tissue. (3 marks)

- I. ....
- II. ....
- III. ....

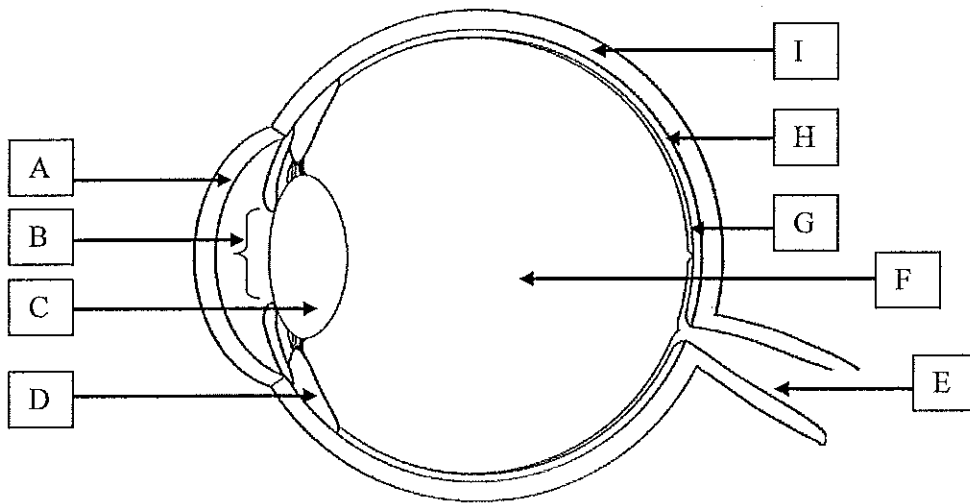
c) Name the endocrine organ that secrete following hormones.

(4 marks)

- I. Insulin - .....
- II. Luteinizing Hormone - .....
- III. Testosterone - .....
- IV. Thyroxin - .....

d) The structure of the eye is given below. Identify the regions in A to I.

(9 marks)



A - .....

F - .....

B - .....

G - .....

C - .....

H - .....

D - .....

I - .....

E - .....

---

**Part C – Essay Questions***(40 marks)*

---

**Answer all questions.**

**Write answers in the books provided.**

1. a) Draw a clearly labeled diagram to show the arrangement of myofibrils in a sarcomere. (5 marks)  
b) Briefly describe the structure of a typical neuron. (15 marks)
  
2. a) Describe the position of the human heart. (5 marks)  
b) Describe the structure of human lungs. (15 marks)