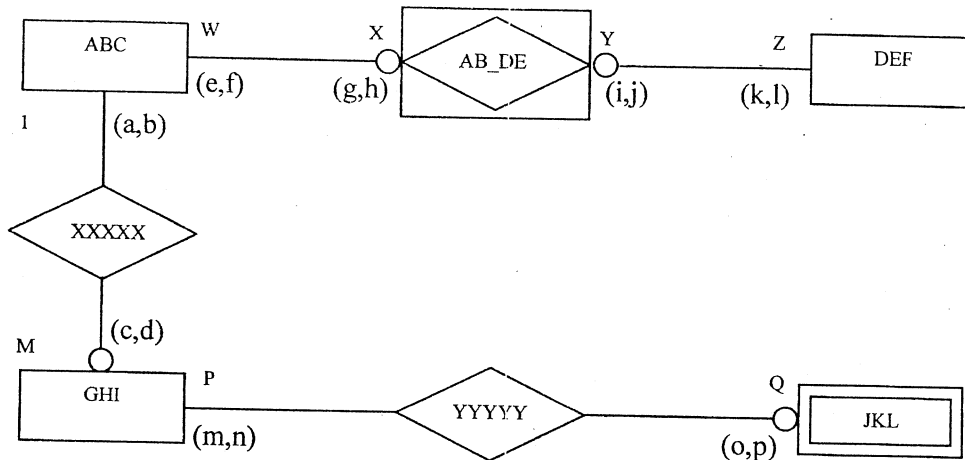




Answer ALL Questions

(01)



The following questions are based on the above ER diagram.

- Write the proper *connectivities* for W, X, Y, Z, P, Q.
- Write the proper *cardinalities* for (a,b), (c,d), (e,f), (g,h), (i,j), (k,l), (m,n) and (o,p).
- What two *attributes* must be contained in the *composite entity*? Use proper terminology in your answer.
- Describe precisely the composition of the *weak entity's primary key*. Use proper terminology in your answer.
- In a real estate database, there is an entity called PROPERTY, which is a property for sale by the agency. Each time a potential property buyer makes a purchase offer on a property, the agency records the date, offering price and name of the person making the offer.
 - Represent the PROPERTY entity and its purchase offer attributes using the notation for *multivalued attributes in the Chen convention*.
 - Represent the PROPERTY entity and its purchase offer attributes using appropriate table structures.
 - Finally, assume the agency decides also to keep data about buyers including their name, phone number and address. Expand your answer to part (i) above to accommodate this new entity type.