

THE OPEN UNIVERSITY OF SRI LANKA
FACULTY OF ENGINEERING TECHNOLOGY
LEVEL 05
MEK 5201 – COMPUTER AIDED DRAFTING AND MODELLING
FINAL EXAMINATION – 2010/2011
DATE : 08th March 2011
DURATION : THREE HOURS



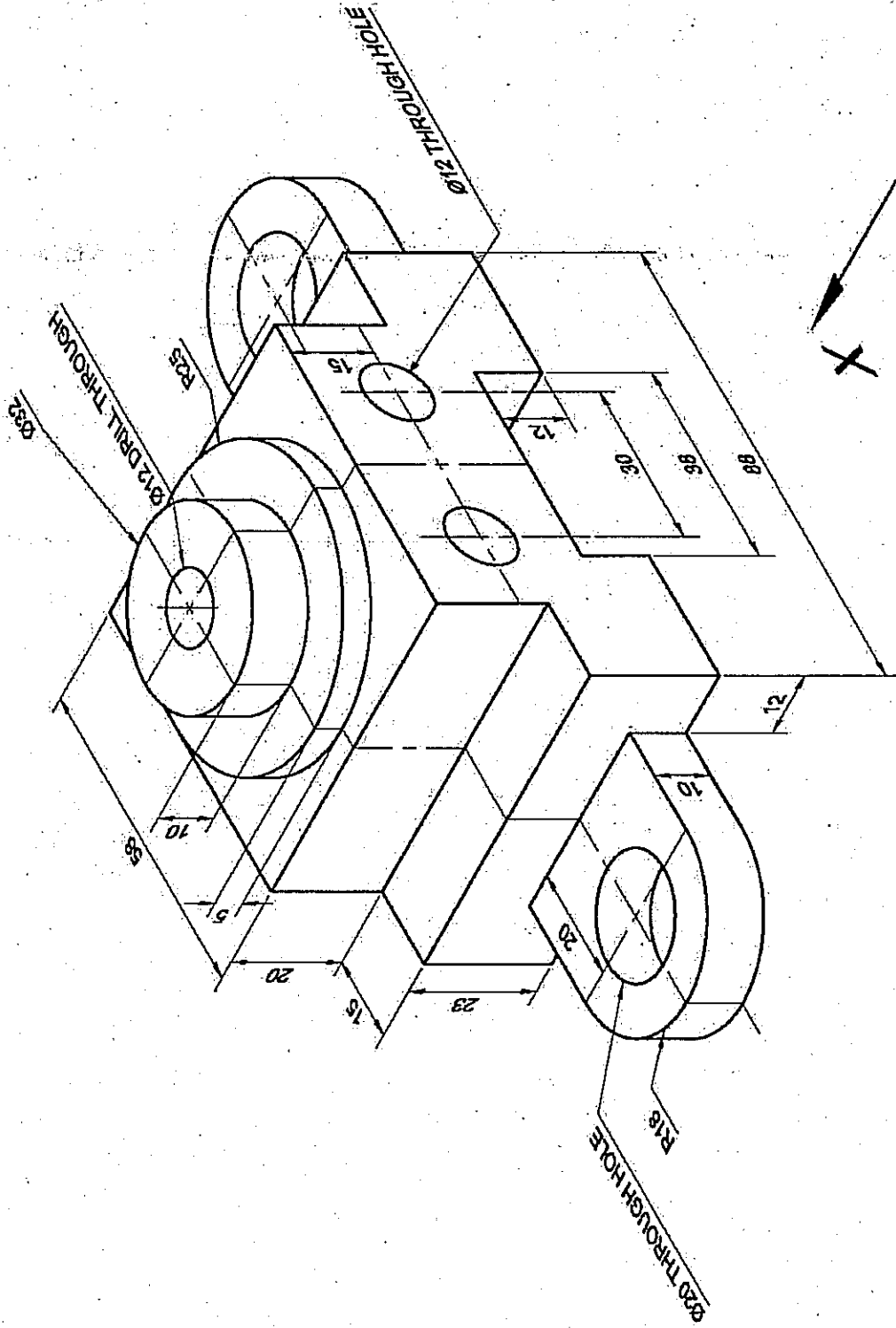
INSTRUCTIONS

1. *Read the question carefully before you start answering it.*
2. *Clarify from the supervisor / invigilator in your examination hall if you have doubts.*
3. *Draw the title block, symbol etc. for answers.*
4. *Save drawings periodically to prevent data loss.*
5. *Do not write your name.*
6. *Write your index number on the Title cage of the drawing.*
7. *Save and name your final drawing by your index number in the pen drive given by the supervisor / invigilator.*
8. *Drawings saved in the pen drive are considered as the final answer.*
9. *Assume any missing dimension.*

Question 01.

- (a) Generate the solid model of the object given in figure Q 01.
- (b) From the solid model, generate the front elevation of the object looking in the X direction and the plan to a scale of full size in first angle projection.

Note – Marks are given for the approach, organizing the drawing, overall view, dimension style settings and the cage.



Not to scale
All dimensions in mm

Fig. Q1
Page 2 of 2