

THE OPEN UNIVERSITY OF SRI LANKA
FACULTY OF ENGINEERING TECHNOLOGY
LEVEL 02 / LEVEL 03
FINAL EXAMINATION – 2010/2011
MEK2289/MEK3289– COMPUTER AIDED DRAFTING



DATE : 7th March 2011
TIME DURATION : THREE HOURS

**READ THE FOLLOWING INSTRUCTIONS CAREFULLY BEFORE ANSWERING
THE QUESTION PAPER**

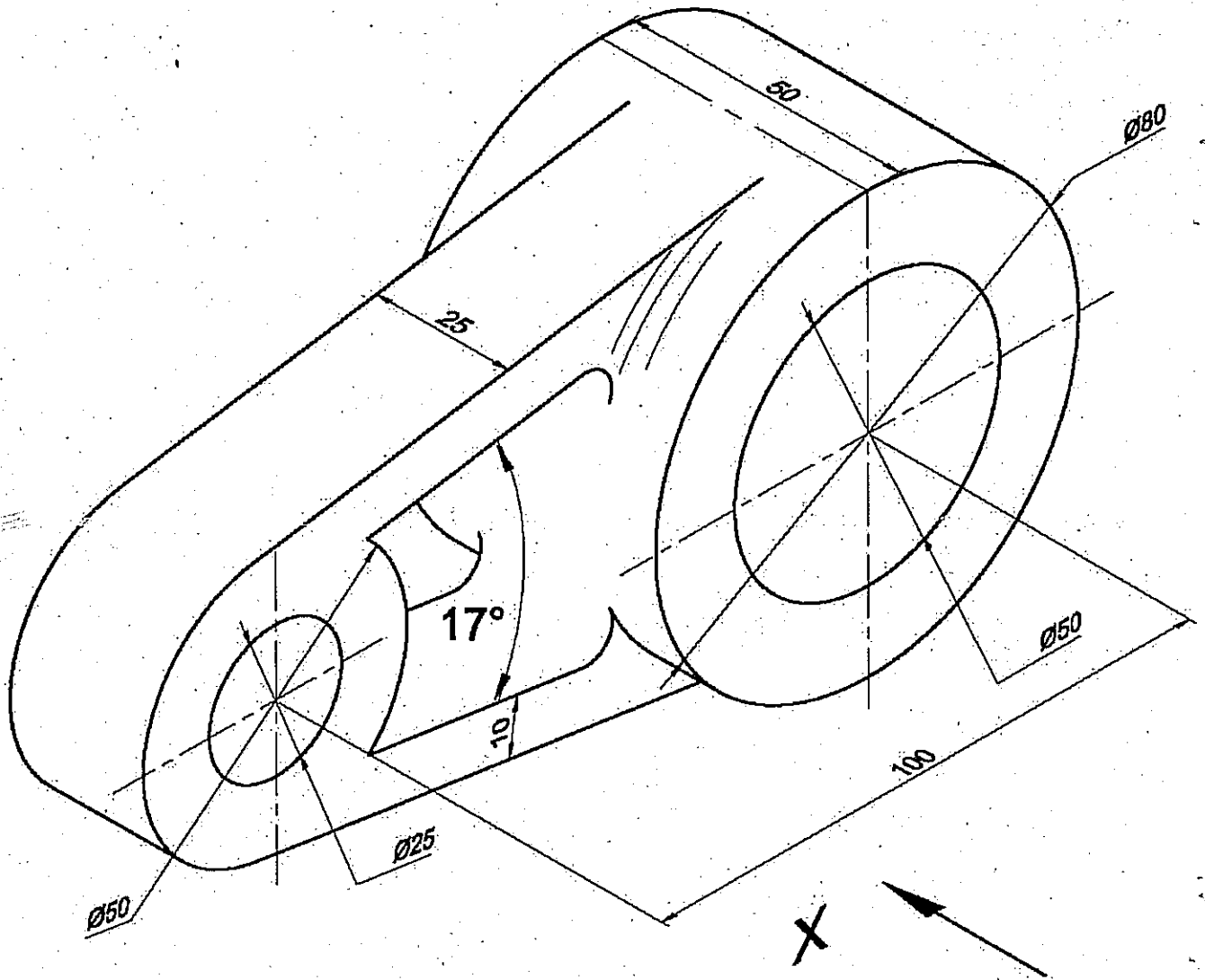
INSTRUCTIONS

1. *Read the question carefully before you start answering it.*
2. *Clarify with the supervisor or invigilator in your examination hall if you have any doubts.*
3. *Draw the title block, symbol etc for answers.*
4. *Save drawings periodically to prevent data loss.*
5. *Do not write your name.*
6. *Write down your index number on the Title cage.*
7. *Save and name your final drawing by your index number in the pen drive given by the supervisor or invigilator.*
8. *Drawings saved in the pen drive are considered as the final answer.*
9. *Assume any missing dimension.*

Question 01.

- (a) Generate the Plan and Front elevation of the object shown in Figure Q1 in first angle projection when looking from the direction X to a scale of full size using AutoCAD software.
- (b) Dimension the drawing.

* Note – Marks are given for the approach, organizing the drawing, overall view, dimension style settings and the cage.



Not to scale
All dimensions in mm

Fig. Q1