



**THE OPEN UNIVERSITY OF SRI LANKA**  
**FACULTY OF ENGINEERING TECHNOLOGY**  
**LEVEL 05**  
**MEK5201 – COMPUTER AIDED DRAFTING AND MODELLING**  
**FINAL EXAMINATION 2011/2012**

**DATE : 28<sup>th</sup> February 2012**  
**DURATION : THREE HOURS**

**READ THE FOLLOWING INSTRUCTIONS CAREFULLY BEFORE ANSWERING**

**INSTRUCTIONS**

1. Read the question carefully before you start answering it.
2. Clarify from the supervisor/invigilator in your examination hall if you have doubts.
3. Draw the title block, symbol etc. for answers.
4. Save drawings periodically to prevent data loss.
5. Do not write your name.
6. Write your index number on the Title cage of the drawing.
7. Save and name your final drawing by your index number in the pen drive given by the supervisor/invigilator.
8. Drawings saved in the pen drive are considered as the final answer.
9. Assume any missing dimension.

**Question 01**

- (a) Generate the solid model of the object given in figure Q1.
- (b) From the solid model, generate the front elevation of the object looking in the X direction and the plan to a scale of full size in first angle projection.

**Note :- Marks are given for the approach, organizing the drawing, overall view, dimension style settings and the cage.**

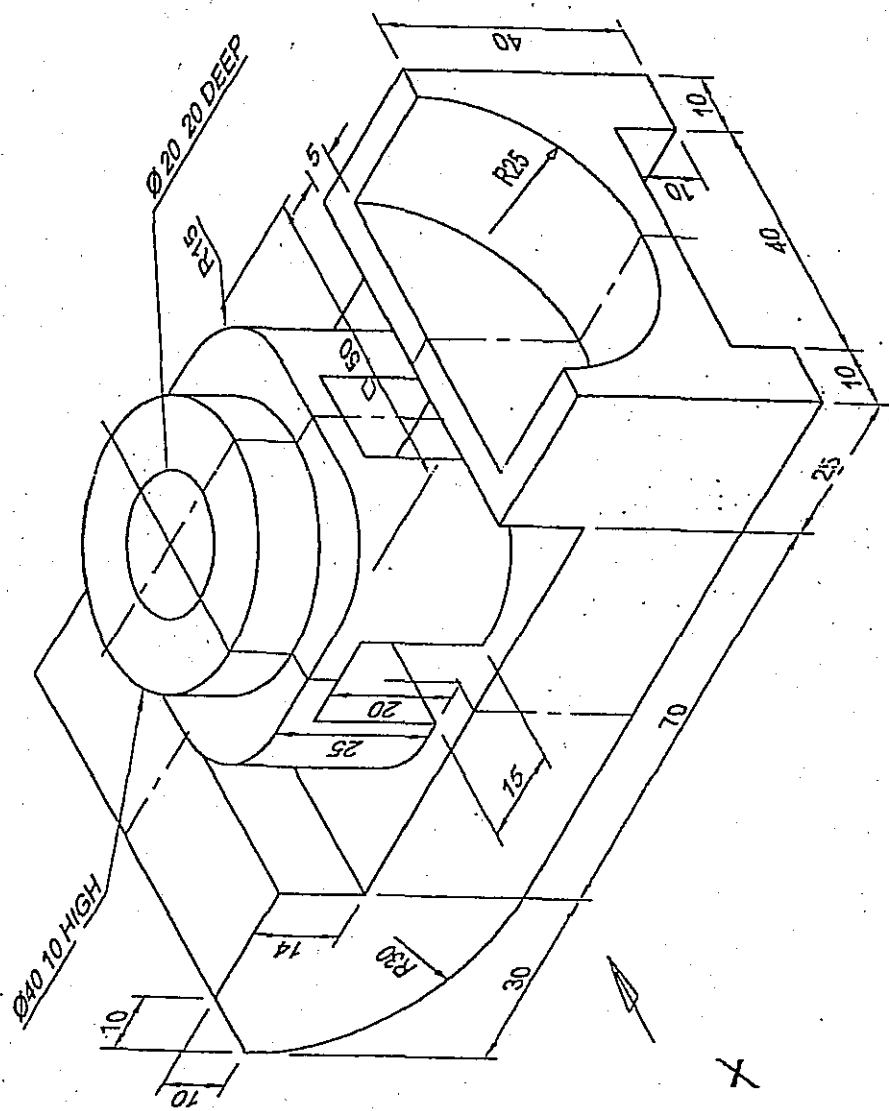


Figure Q1

ALL DIMENSIONS IN mm