

The Open University of Sri Lanka
Faculty of Engineering Technology



Study Programme	: Diploma in Technology/Bachelor of Technology (Engineering)
Name of the Examination	: Final Examination
Course Code and Title	: MEK5201 – Computer aided drafting & modelling
Academic Year	: 2012/13
Date	: 30-07-2013
Time	: 9.30 – 12.30hrs
Duration	: 3 hours

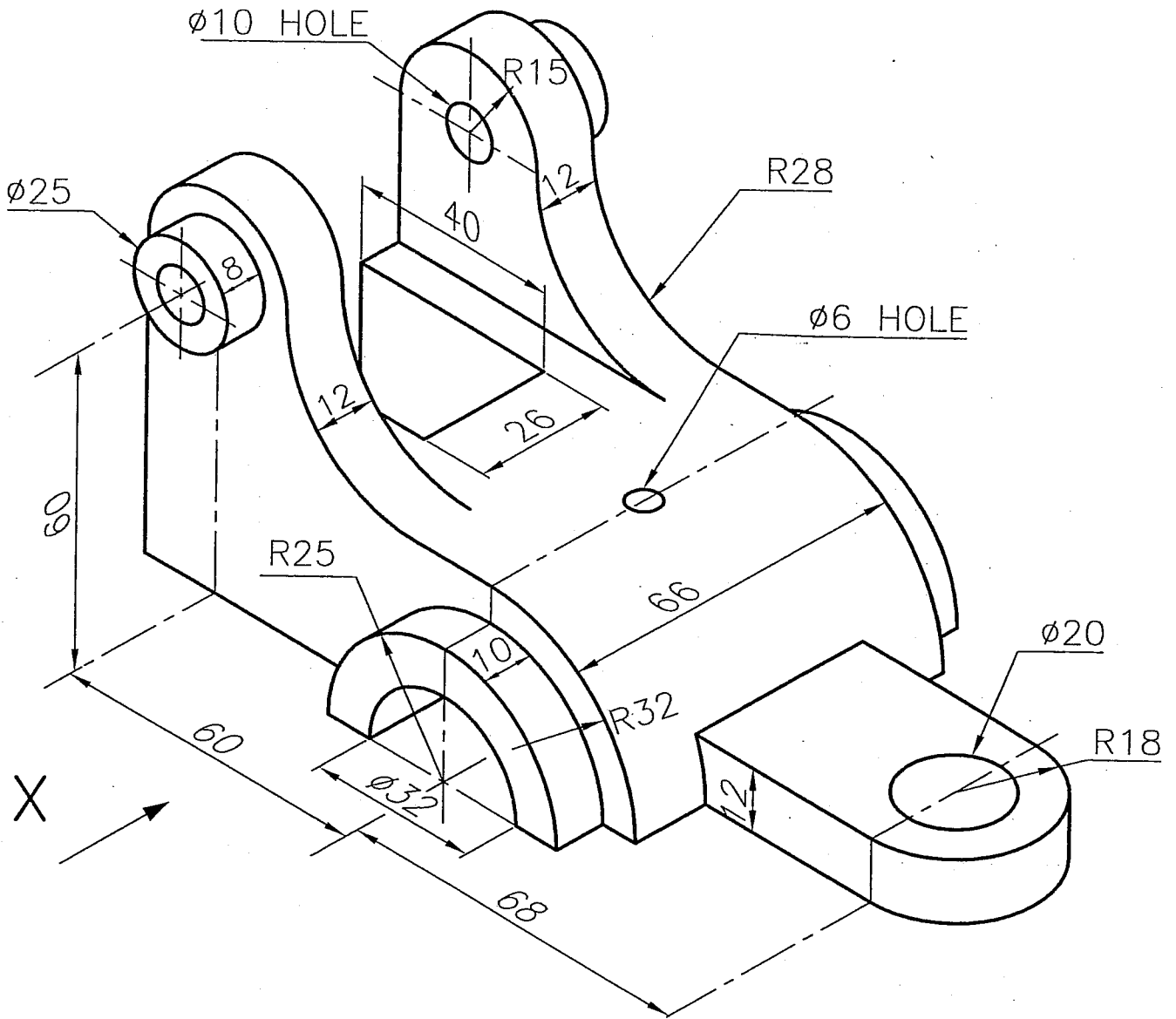
General instructions

1. Read the question carefully before you start answering it.
2. Clarify from the supervisor/invigilator in your examination hall if you have doubts.
3. Draw the title block, symbol etc. for answers.
4. Save drawings periodically to prevent data loss.
5. Do not write your name.
6. Write your index number on the title cage of the drawing.
7. Save and name your final drawing by your index number in the pen drive given by the supervisor/invigilator.
8. Drawings saved in the pen drive are considered as the final answer.
9. Assume any missing dimension.

Q1.

- (a) Construct the solid model of the object given in figure Q1 using **AutoCAD software**.
- (b) From the solid model, **generate** the following views to a scale of full size in first angle projection
 - **Front elevation** of the object looking in the X direction
 - End elevation projected to right of front view (a)
 - **Plan**

Note :- Marks are given for the approach, organizing the drawing, overall view, dimension style settings, main title, sub titles and the standard cage.



All dimensions are in mm

Fig. Q1