

The Open University of Sri Lanka
Faculty of Engineering Technology



Study Programme	: Diploma in Technology/Bachelor of Technology (Engineering)
Name of the Examination	: Final Examination
Course Code and Title	: MEK3289 – Computer aided drafting
Academic Year	: 2012/13
Date	: 29-07-2013
Time	: 09.30 – 12.30hrs
Duration	: 3 hours

General instructions

1. Read the question carefully before you start answering it.
2. Clarify from the supervisor/invigilator in your examination hall if you have any doubts.
3. Draw the title block, symbol etc. for answers.
4. Save drawings periodically to prevent data loss.
5. Do not write your name.
6. Write down your index number on the title cage.
7. Save and name your final drawing by your index number in the pen drive given by the supervisor/invigilator.
8. Drawings saved in the pen drive are considered as the final answer.
9. Assume any missing dimension.

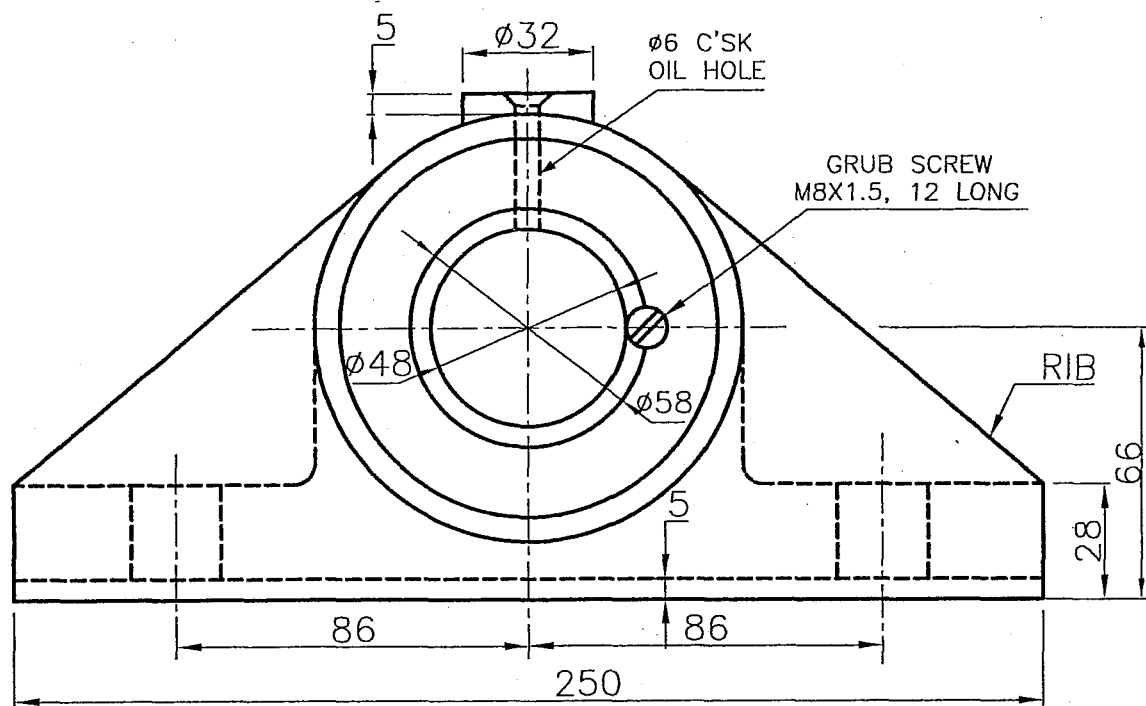
Q1.

The Fig Q1 shows orthographic views of an object in the first angle projection.

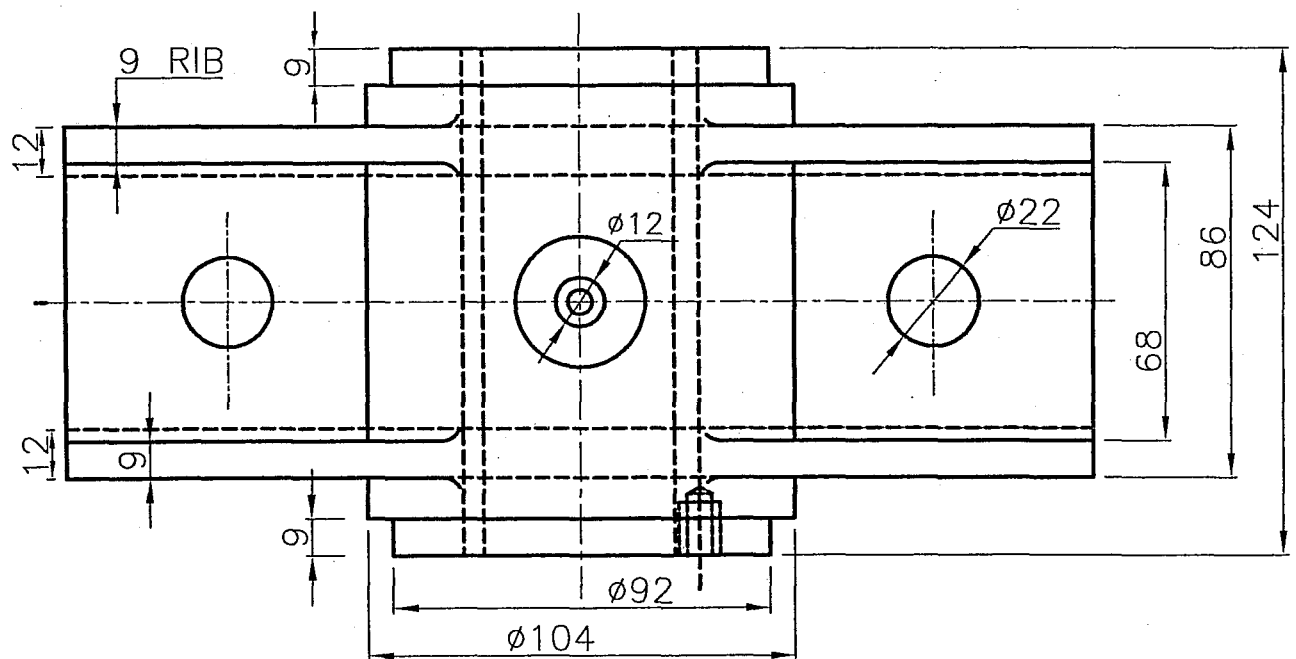
Draw the following views to a scale of full size using **AutoCAD software**.

- (a) Given front elevation and the plan.
- (b) End elevation projected to left of front view (a)
 - Dimension the drawings.
 - Assume any missing dimensions.

Note – Marks are given for the approach, organizing the drawing, overall view, dimension style settings, main titles, sub titles and the Standard cage.



FRONT ELEVATION



PLAN

BUSHED BEARING

All dimensions are in mm

Fig. Q1